

GENERAL ARRANGEMENT CFX 20/99 Mk2 - 20 L MEASURE

MAIN MEASURE ASSEMBLY WITH DETACHABLE FUNNEL AND DISCHARGE HOSE ASSEMBLIES IN PLACE, MEASURE IS SHOWN MOUNTED ON COLLAPSIBLE TUBULAR STEEL TROLLEY WITH THE ADJUSTABLE LEG SET IN THE LOWER DISPENSE POSITION, READY TO RECEIVE FUEL.

PUMPWATCH
LTD.

PO BOX 125
THOMPSON ENTERPRISE CENTRE,
CLANE
CO. KILDARE
IRELAND

TEL: +353 45 892155
FAX: +353 45 892177
EMAIL: ml@pumpwatch.ie

DRAWN BY :

GED

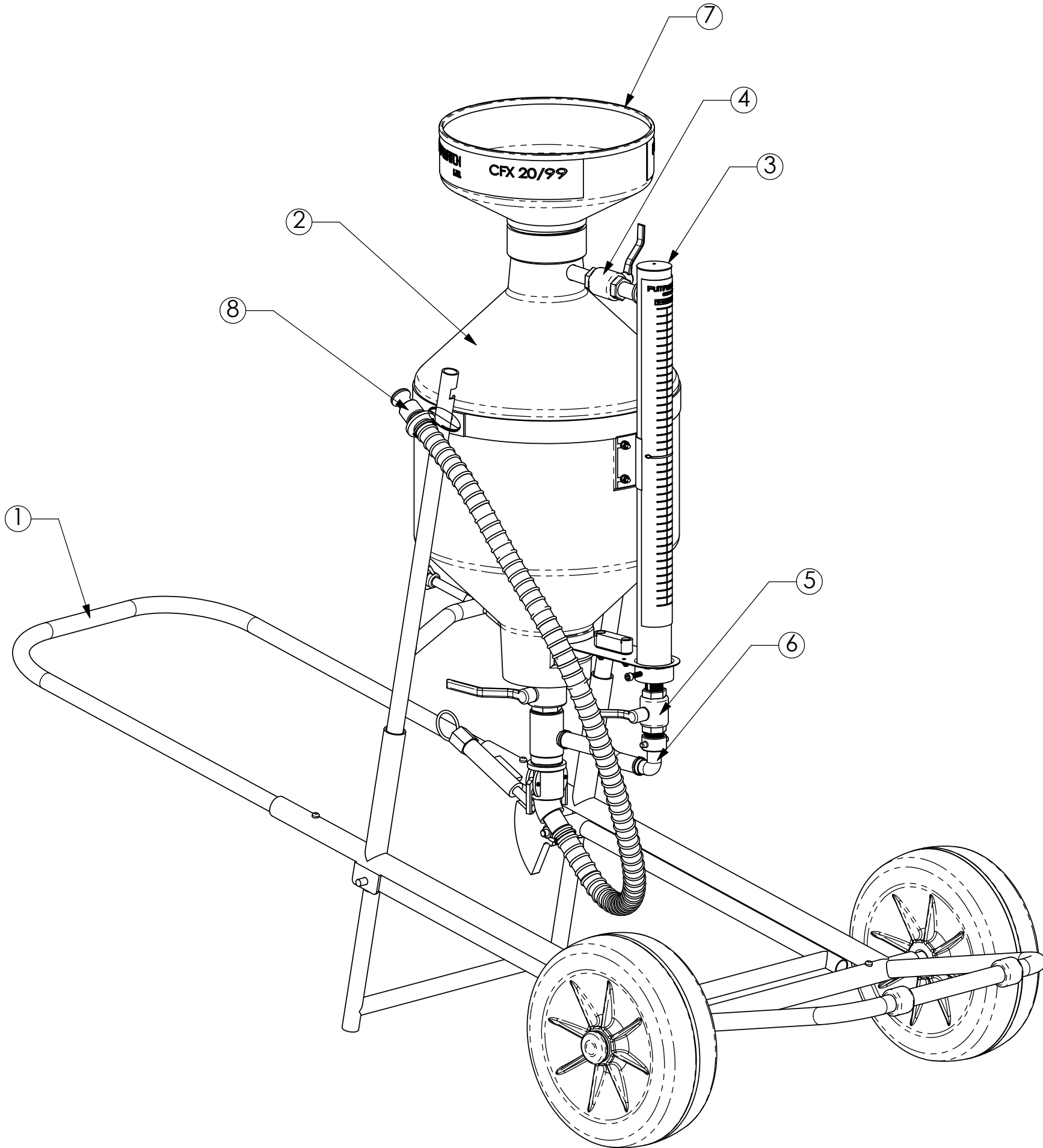
DATE :

30-06-04

DRAWING NO.

SAC-209-21-01

ITEM NO.	QTY.	DESCRIPTION	COMPONENT NO.	PURCHASE REF.	DRAWING REF.
1	1	TRANSPORT TROLLEY ASSY	C209-120000	C209-22	DAC209-22-01
2	1	MAIN VESSEL SUB-ASSY	C209-210100	C209-2101	DBC209-2101-01
3	1	MEASURING TUBE/LEVELLING PLATE SUB ASSY	C209-110300	C209-2103	DBC209-2103-01
4	1	TRANSFER TUBE SUBASSY	C209-110400	C209-2104	DBC209-2104-01
5	1	FINE CALIBRATION SUB-ASSY	C209-110500	C209-2105	DBC209-2105-01
6	1	MAIN DISCHARGE VALVE SUB-ASSY	C209-210600	C209-2106	DBC209-2106-01
7	1	FUNNEL SUBASSY	C209-110200	C209-2102	DBC209-2102-01
8	1	DISCHARGE HOSE EXTENSION SUB ASSY	C209-211500	C209-2115	DBC209-2115-01



PUMPWATCH
LTD.

PO BOX 125
THOMPSON ENTERPRISE CENTRE,
CLANE
CO. KILDARE
IRELAND

TEL: +353 45 892155
FAX: +353 45 892177
EMAIL: ml@pumpwatch.ie

DRAWN BY :
GED

DATE :
30-06-04

DRAWING NO.

SAC-209-21-02